

## Combined maintenance unit - G<sup>1/4</sup> – G 1



423.243

**Combined maintenance unit (3 in 1)** consisting of a filter, pressure regulator and lubricator, united in one device in extremely space-saving design!

**Components:**

**Double bowl** for filter condensate and oil supply out of plastic (polycarbonate), optionally with bowl protection or metal bowl. **Drain valves** for condensate either as manually-operated, semi-automatic, fully-automatic internal or fully-automatic external drain valve. **Filter elements** out of sintered bronze available with two different pore diameters. **Pressure regulator** with three different pressure ranges. Adjustment can be locked by pressing the handwheel. Version with **lockable handwheel** in arrested state is also available. Bracket mounting possible. Gauge can be mounted on back or front. **Filling oil** under pressure is possible (use a spray oilcan). Available in 2 sizes with connecting threads of G<sup>1/4</sup> to G 1.

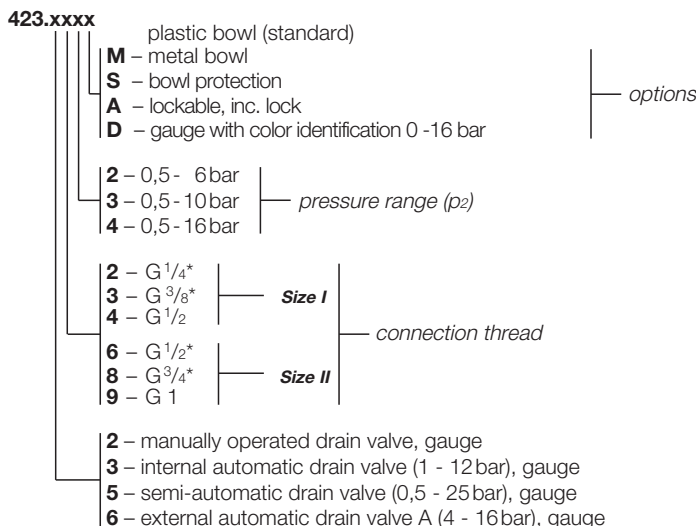
**Standard versions:**

**With plastic bowl and manually operated drain valve, with gauge**

Pressure range p <sub>2</sub>	Order No.					
	Connection thread size I			Connection thread size II		
	G <sup>1/4</sup> *	G <sup>3/8</sup> *	G <sup>1/2</sup>	G <sup>1/2</sup> *	G <sup>3/4</sup> *	G 1
0,5 - 6bar	<b>423.222</b>	<b>423.232</b>	<b>423.242</b>	<b>423.262</b>	<b>423.282</b>	<b>423.292</b>
0,5 - 10bar	<b>423.223</b>	<b>423.233</b>	<b>423.243</b>	<b>423.263</b>	<b>423.283</b>	<b>423.293</b>
0,5 - 16bar	<b>423.224</b>	<b>423.234</b>	<b>423.244</b>	<b>423.264</b>	<b>423.284</b>	<b>423.294</b>

\* Inlet and outlet reduced

**Order key for all variants:**



**Accessories**

	Order No.	
	Size I	Size II
<b>Bracket mounting</b> for attachment to the housing	<b>423-60</b>	<b>423-102</b>
<b>Bowl protection</b>	<b>423-107</b>	<b>423-108</b>
<b>Metal bowl</b> with seal and		
manually operated drain valve	<b>423-296</b>	<b>423-297</b>
semi-automatic drain valve	<b>423-298</b>	<b>423-299</b>
external automatic drain valve A	<b>423-300</b>	<b>423-301</b>
<b>Oil regulating valve</b> out of		
plastic	<b>423-179</b>	<b>423-179</b>
metal	<b>423-65</b>	<b>423-65</b>
<b>Reductions</b>		
G <sup>1/2</sup> x G <sup>3/8</sup> **	<b>423-57</b>	-
G <sup>1/2</sup> x G <sup>1/4</sup> **	<b>423-58</b>	-
G 1 x G <sup>3/4</sup> **	-	<b>423-99</b>
G 1 x G <sup>1/2</sup> **	-	<b>423-100</b>

\*\* Upon request also with NPTF-thread

**Main spare parts**

<b>Plastic bowl</b> with seal and	manually operated drain valve	<b>423-282</b>	<b>423-283</b>
	internal automatic drain valve	<b>423-288</b>	<b>423-289</b>
	semi-automatic drain valve	<b>423-284</b>	<b>423-285</b>
	external automatic drain valve A	<b>423-290</b>	<b>423-291</b>
<b>Gauges</b> , horizontal	display range:		
ø 50: Size I	0 - 10bar	<b>55</b>	<b>214</b>
	0 - 16bar	<b>85</b>	<b>215</b>
ø 63: Size II	0 - 25bar	<b>96</b>	<b>216</b>
<b>Filter element</b>	filter porosity		
	40 µm (mounted)	<b>394-6</b>	<b>394-16</b>
	5 µm (reduced flow rate!)	<b>394-40</b>	<b>394-37</b>
<b>Valve</b> complete with stem		<b>423-342</b>	<b>423-79</b>
<b>Diaphragm</b> complete with gliding ring		<b>480-92</b>	<b>423-77</b>

## Technical data

	Size I	Size II
<b>Nominal rates of flow</b>	1400NI/min	3400NI/min
<b>Max. operating pressure (p<sub>1</sub>)</b>	- plastic bowl - metal bowl	16bar (PN16) 25bar (PN25)
<b>Operating pressure</b>	- plastic bowl - metal bowl	0°C up to +50°C 0°C up to +90°C
<b>Effective bowl volume</b>	- filter - lubricator	25cm <sup>3</sup> 75cm <sup>3</sup> 75cm <sup>3</sup> 150cm <sup>3</sup>
<b>Mounting position</b>		vertical
<b>Direction of flow</b>		arrow
<b>Nominal width</b>	DN8	DN15
<b>Dependency upon supply pressure</b>	< 3%	< 2%
<b>Reversing control hysteresis</b>		~ 1 bar
<b>Weight</b>	1255g	2690g
<b>Material</b>	- seals - housing - filter element - plastic bowl	NBR zinc alloy sintered bronze polycarbonate

## Recommended oil

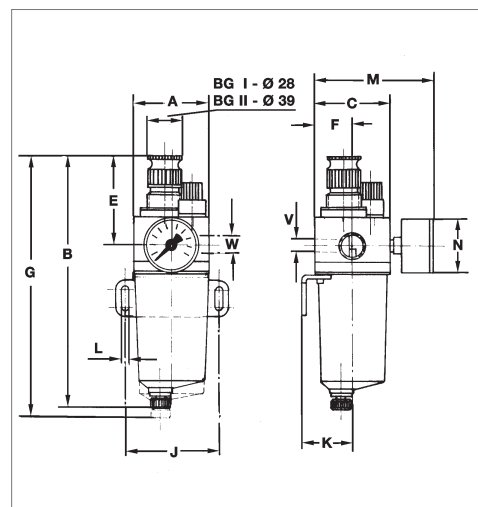
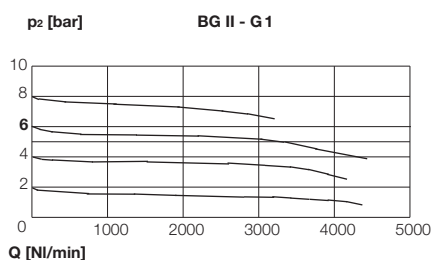
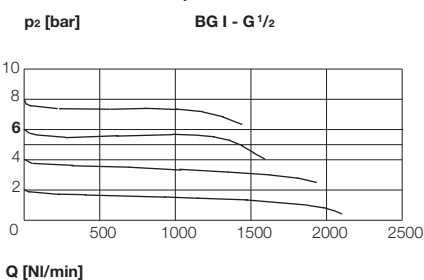
Oil containers made of plastic (polycarbonate) are attacked by oil additives, anti-frost or synthetic oils. We therefore recommend normal lubricating oils of approx. **22 to 32cSt** at 40°C (in the case of striking tools up to 68 cSt). Metal containers should be used for other oils, especially for low-temperature oils. Also recommended is a metal lubricator adjusting cap.

## Dimensions [mm]

Size	A	B**	C	E	F	G	J	K	L	M
<b>I</b>	66	200	69	65	34,5	220	82	43	6,5	105
<b>II</b>	93	295	96	105	48	325	112	61	9	135

\*\* with internal automatic drain valve: +10mm  
with semi-automatic drain valve: +10mm  
with external automatic drain valve A: + 90mm

## Rates of flow p<sub>1</sub> = 10bar



## ewo Compressed air special oil

Oils see chapter 10.

Container	Order No.
Volume 1 liter	583
Volume 5 liter	583.1



Drain valves, see chapter 8