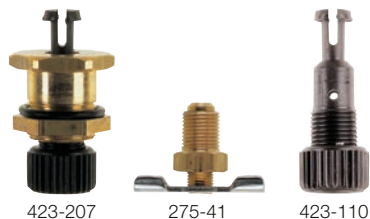




Manual drain valve

Manually operated drain valves are integrated as standard equipment in all filter bowls or filter pressure regulator bowls. For plastic and metal bowls with sight glass, the plastic drain screw with bowl insert is used. The metal valve insert with blades is used for metal bowls without sight glass, but can also be screwed into any other G 1/8"-socket thread instead of the drain screw on request.



Version	Suitable for	Thread	Order No.
Drain screw (plastic) with bowl insert	plastic and metal bowls with sight glass	Ø 14	423-207
Valve insert (metal) without bowl insert	metal bowls without sight glass	G 1/8"	275-41

Spare parts and accessories

	Thread	Order No.
Plastic drain screw	G 1/8"	423-110

Technical data

Max. operating pressure (p ₁)	25 bar
Operating temperature	0 °C up to +90 °C
Mounting position	at the lowest point of the bowl
Condensate drain	DN 3
Manual override	by rotation: right – closed / left – open
Tightening torque of nut	max. 1.3 Nm

Notice



To change the drain screw (423-110), unscrew it and pull it downwards with a strong thrust.

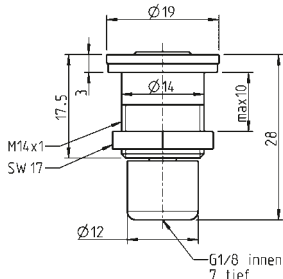


Semi-automatic drain valve

Semi-automatic drain valves are open when pressureless (up to approx. 0.5 bar) and are opened manually at higher pressures. They are used wherever the compressed air supply is switched off at least overnight. Manual operation is achieved by pressing up the sleeve. A drain hose for condensate can be installed if required.



495-100



Version	Thread	Order No.
Suitable for plastic and metal bowls	Ø 14	495-100

Technical data

Max. operating pressure (p ₁)	25 bar
Operating temperature	0 °C up to +90 °C
Min. operating pressure (open at lower pressures)	~ 0.5 bar
Closing pressure flow (air) (= flow rate required to build up the closing pressure)	6 m ³ /h (100 l/min)
Mounting position	at the lowest point of the bowl
Condensate outlet	DN 3.5
Condensate drain	G 1/8" female thread
Manual override	push the sleeve (knurl) upwards (difficult to operate above 10 bar)
Drain hose	flexible
Tightening torque of nut	max. 1.3 Nm



Automatic integrated drain valve

Automatic integrated drain valves in small design (Ø24) are suitable for installation in all filter plastic bowls and metal bowls with bore hole-Ø 14 mm and hexagonal guide AF 19 (except for standard series!). The minimum operating pressure is 2 bar. At pressures below 2 bar, the valve is open and behaves like a semi-automatic drain valve. Above an operating pressure of 2 bar, the drain valve is closed. When a certain condensate level is reached, a pneumatic servo valve is actuated by the float and the drain valve is opened.

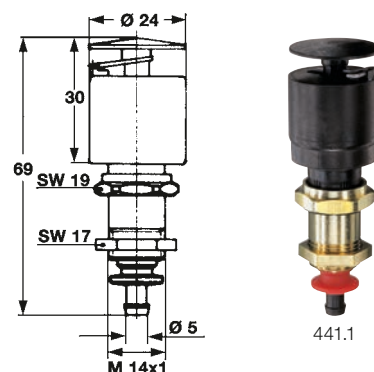
Thread	Order No.
Ø 14	441.1

Spare parts and accessories

	Order No.
Spacer disc for airvision and variobloc bowl BG 40, 50	419-81

Technical data

Max. operating pressure (p ₁)	12 bar
Critical range	10 up to 12 bar
Operating temperature	0 °C up to +50 °C
Min. operating pressure	~ 1.5 bar (open at lower pressures)
Closing pressure flow (air) (= flow rate required to build up the closing pressure)	7.5 m ³ /h (125 l/min)
Mounting position	vertically downwards
Condensate drain	DN 4
Manual override	push red disc upwards
Drain hose	DN 5 flexible
Tightening torque of nut	max. 1.3 Nm



Notice



Attachment to pressure tanks or water bags without significant pressure fluctuations is not recommended as the function is not always given (water does not run into the valve).

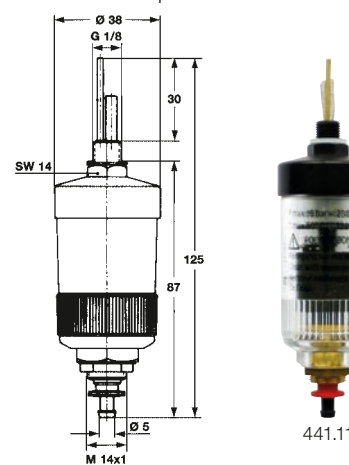
Automatic attachable drain valve B

The attachable drain valve can be connected to all filter or filter pressure reducers of the ewo range instead of a manual drain valve or semi-automatic drain valve, because the insert is suitable for Ø 14 for mounting. The valve can be mounted at any time on bowls with G 1/8 female thread. When a certain condensate level is reached, a pneumatic servo valve is actuated by the float and the drain valve is opened. The valve closes again after a short blow-out. Manual override is actuated by pressing the red disc upwards.

Version	Thread	Order No.
Float is visible	G 1/8	441.11

Technical data

Max. operating pressure (p ₁)	12 bar
Critical range	10 up to 12 bar
Operating temperature	0 °C up to +50 °C
Min. operating pressure	~ 1.5 bar (open at lower pressures)
Closing pressure flow (air) (= flow rate required to build up the closing pressure)	7.5 m ³ /h (125 l/min)
Mounting position	vertically downwards
Condensate drain	DN 4
Manual override	push red disc upwards
Drain hose	DN 5 flexible
Condensate outlet	DN 5 hose connection



Notice



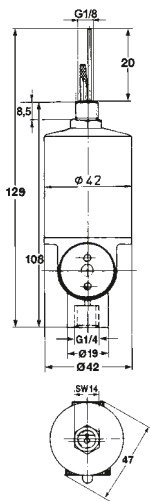
Attachment to pressure tanks or water bags without significant pressure fluctuations is not recommended as the function is not always given (water does not run into the valve).





Automatic attachable drain valve A

The attachable drain valve A can be connected to all filter or filter pressure reducers of the ewo range instead of a manual drain valve or semi-automatic manual drain valve, because the insert for Ø 14 is suitable for attachment. The attachment is possible at any time on bowls with G 1/8 female thread. When a certain condensate level is reached, a pneumatic servo valve is actuated by the float and the drain valve is opened. The valve closes again after a short blow-out. Manual override is effected by pushing in the horizontally protruding pin.



Version	Thread	Order No.
Housing and cover brass	G 1/8	5370.3
Housing PA, cover brass		5370.4

Technical data

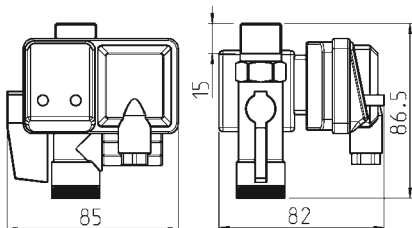
Max. operating pressure (p ₁)	12 bar
Operating temperature	0 °C up to +90 °C
Min. operating pressure	~ 4 bar (closed at lower pressures)
Mounting position	vertically downwards
Condensate drain	DN 4
Manual override	push the pin inwards (at pressure higher than 6 bar difficult to operate)
Condensate outlet	G 1/4 female thread

Time-controlled attachable drain valve

Automatic drain valve (magnetic valve) which allows individual and easy adjustment of the drain interval and the opening time of the condensate drain. No moving parts. Reliable operation and insensitive to external conditions. Test button, LED warning light for malfunction.



5370.100



Thread	Order No.
230 V AC	5370.100

Technical data

Min./max. operating pressure (p ₁)	0–16 bar
Min./max. Operating temperature	1.5 °C up to 65 °C
Male thread inlet	G 1/2
Female thread outlet	G 1/4
Cable diameter	6–8 mm
Condensate drain capacity at 10 bar	0.2–114 l/h
Opening time	0.5–6 sec.
Interval time	0.5–30 min.
Electrical connection voltage AC	230 V +/- 10 %
Electrical connection frequency	50–60 Hz
Electrical connection power	18 W
Electrical connection protection class	IP 54
Electrical connection cable	3 x 0.75 mm ²
Weight	560 g





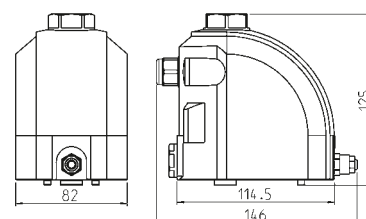
Electronic attachable drain valve

For automatic discharge of condensate from the compressed air line. The basic principle is a contactless measurement of the accumulated condensate, which is safely discharged without pressure loss. During the discharge process, the condensate flow constantly flushes small particles (dirt) out of the valve, ensuring uninterrupted operation. With integrated filter. Directly working self-cleaning valve (patented), automatic correction in case of blocked piston. Benefits: Safety and reliable operation, no maintenance personnel required. Compact design. Two connection options, operation monitoring with condensate drain and alarm warning LED plus test button.

Thread	Order No.
230 V AC	5370.200



5370.200



Technical data

Operating pressure (p ₁)	0–16 bar
Operating temperature	1.5 °C up to 65 °C
Inlet, female thread	G ½ (at the top)
Alternative inlet, female thread	G ½ (rear bottom with ventilation upwards)
Outlet	hose 8 × 6 (G ½)
Condensate drain capacity at 7 bar	15 l/h
Volume	0.15 l
Electrical connection voltage AC	230 V +/-10 %
Electrical connection frequency	50–60 Hz
Electrical connection power	24 VA
Electrical connection protection class	IP 54
Electrical connection cable	3 × 0.75 mm ² (without plug)
Material housing	anodised aluminium
Material cover	plastic
Weight	900 g



Automatic attachable drain valve up to 20 bar

This automatic attachable drain valve is used when larger amounts of condensate (up to 300 l/h) needs to be drained in compressed air filters, pressure vessels and cyclone separators. Safe drainage up to an operating pressure of 20 bar is ensured. If the maximum condensate level inside the drain valve is exceeded, the valve opens and the condensate is drained. No power connection required. A manual drain plug is provided. To optimize the function, we recommend the installation of the inlet plug (see below), especially for larger condensate volumes.

Version	Order No.
Up to 20 bar operating pressure	5370.300



5370.300



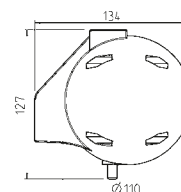
5370-301

Spare parts and accessories

Order No.	Order No.
Inlet plug	5370-301

Technical data

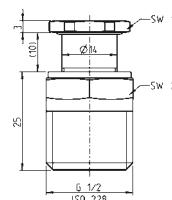
Operating pressure (p ₁)	0–20 bar
Operating temperature	1.5 °C up to 65 °C
Medium	condensate (air, water, oil)
Inlet, female thread	G ½
Outlet, female thread	G ½
Condensate drain capacity	up to 300 l/h
Material housing	aluminium alloy
Weight	680 g



Adapter kit for attachable drain valves

For installation into the ewo condensate container. This adapter G ½ is required for mounting the attachable drain valves to the ewo condensate containers (except for standard series metal bowls).

Version	Order No.
Suitable for drain valves with female thread G ½	5370-400
Suitable for drain valves with male thread G ½	5370-401



5370-400