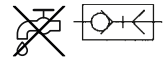


DN 2.7 Micro coupling and plug



One-way shut-off quick-release coupling with ball locking. Extremely small dimensions and large passage with low pressure drop. Sliding sleeve easily operated with one hand up to 8 bar. Nickel-plated brass.

Coupling

Thread	Dimensions (mm)			Order No.
W	L	i	SW (AF)	
Male thread				
M5	26	5	9	310.001
G 1/8	28	7	11	310.101
Female thread				
M5	25	5	9	310.002
G 1/8	28	7	12	310.102
Hose connection				
DN 3	35	13	-	310.105
DN 4	35	13	-	310.103
Quick-action fitting				
4x3	34	7	9	310.084
5x3	34	7	9	310.094
6x4	34	7	9	310.104

Plug

Thread	Dimensions (mm)			Order No.
W	L	i	SW (AF)	
Male thread				
M5	18	5	7	310-010
G 1/8	20	7	11	310-020
Female thread				
M5	17	5	7	310-021
G 1/8	18	7	12	310-030
Hose connection				
DN 3	24	13	-	310-048
DN 4	24	13	-	310-049
Quick-action fitting				
4x3	7	25	7	310.184
5x3	7	25	7	310.194
6x4	5.8	24	-	310.204

Technical data

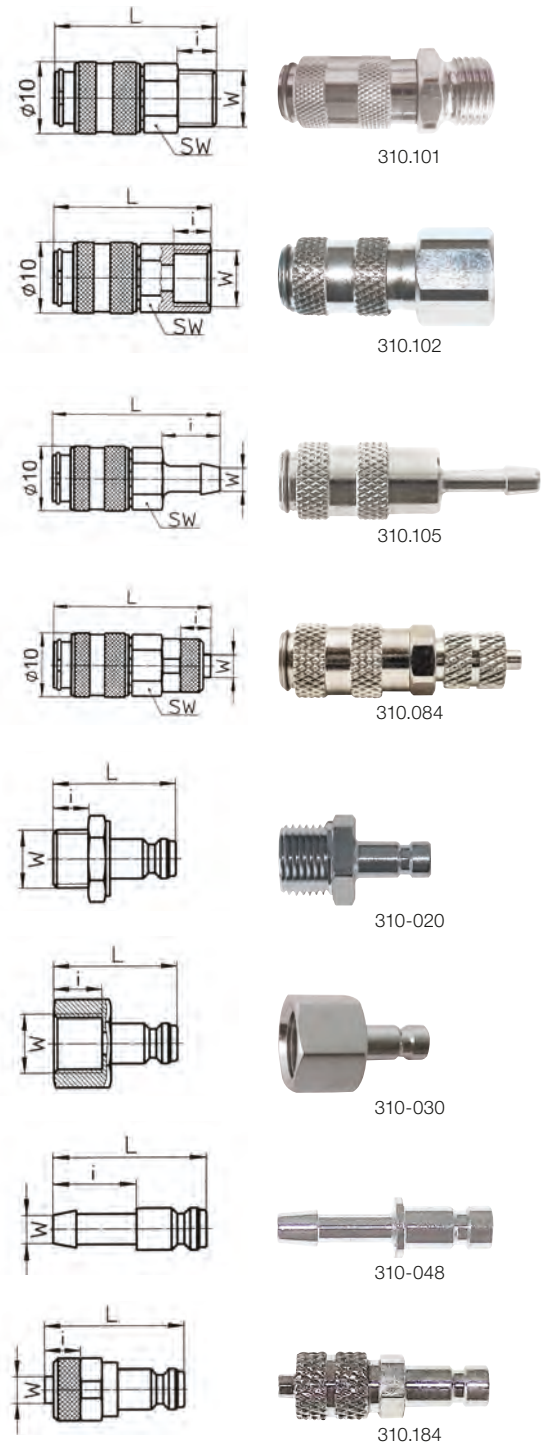
Nominal flow rate* acc. to ISO 6358	228 l/min
Max. operating pressure (p ₁)	16 bar
Min. operating pressure (p ₁)	1 bar
Operating temperature	-20 °C up to +100 °C
Mounting position/flow direction	preferably coupling before plug in flow direction/any
Material housing/cover	nickel-plated brass
Material seals	NBR
Material spring	V2A

* measured at 6 bar inlet pressure (p₁) and pressure drop Δp = 1 bar

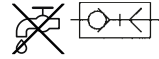
Notice



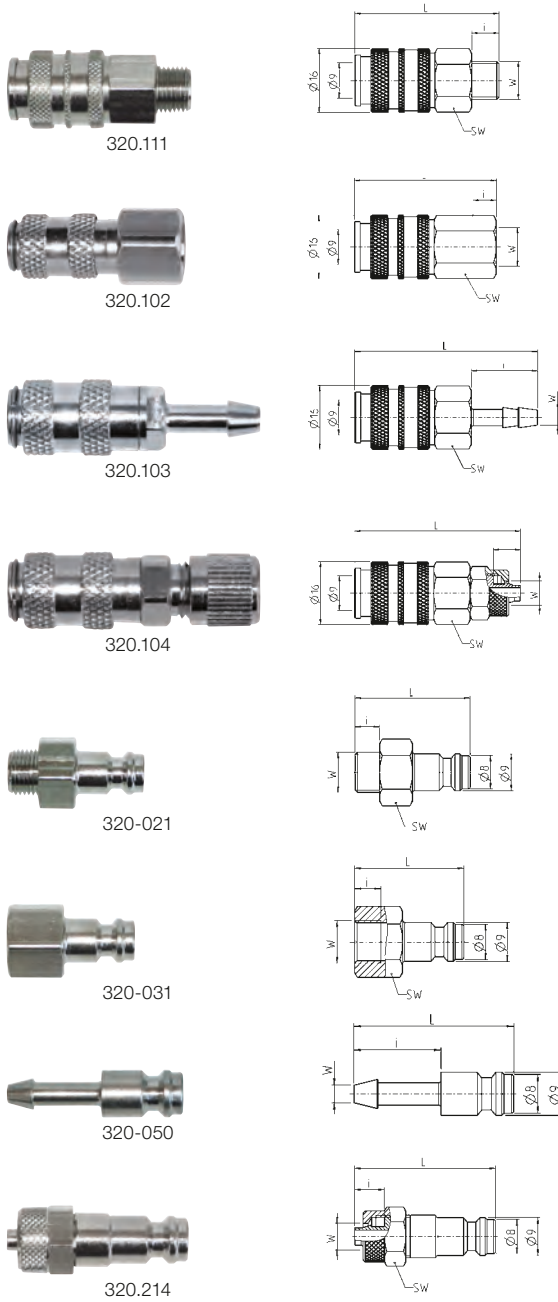
Plugs are compatible with all DN 2.7 couplings and with Rectus 20KA.



DN 5 Mini coupling and plug



One-way shut-off quick-release coupling with ball locking. Sliding sleeve easily operated with one hand up to 8 bar. Nickel-plated brass.



Coupling

Thread	Dimensions (mm)			Order No.
	W	L	i	
Male thread				
G 1/8	37	7	14	320.101
G 1/4	39	9	17	320.111
Female thread				
G 1/8	36.5	6	14	320.102
G 1/4	38.5	8	17	320.112
Hose connection				
DN 4	47	17	14	320.103
DN 6	47	17	14	320.113
Quick-action fitting				
6 x 4 M10 x 1	43	7	14	320.104
8 x 6 M12 x 1	43	7	14	320.114

Plug

Thread	Dimensions (mm)			Order No.
	W	L	i	
Male thread				
G 1/8	28	6	14	320-020
G 1/4	28	8	17	320-021
Female thread				
G 1/8	25	6	14	320-030
G 1/4	26	8	17	320-031
Hose connection				
DN 4	33	18	-	320-049
DN 6	33	18	-	320-050
Quick-action fitting				
6 x 4 M10 x 1	33	7	14	320.204
8 x 6 M12 x 1	33	7	14	320.214

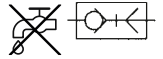
Technical data

Nominal flow rate* acc. to ISO 6358	540 l/min
Max. operating pressure (p ₁)	16 bar
Min. operating pressure (p ₁)	1 bar
Operating temperature	-10 °C up to +90 °C
Mounting position/flow direction	preferably coupling before plug in flow direction/any
Material housing/cover	nickel-plated brass
Material seals	NBR
Material spring	V2A
*measured at 6 bar inlet pressure (p ₁) and pressure drop Δp = 1 bar	

Notice

! Plugs are compatible with all DN 5 couplings and with Rectus 21KA.

DN 5.5 Safety coupling ARO profile, with push-button, connection rotatable



Safety coupling according to ISO 4414 with push-button actuation prevents the so-called whiplash effect during decoupling. Due to the materials used, this high-quality coupling is particularly characterized by stability and compatibility. If the coupling is permanently mounted, the push button can be brought into the ergonomically most favourable position using the swivel joint. Sliding sleeve easily operated with one hand up to 8 bar. Silicone-free!

Handling

Step 1: by pressing the push button the first time, the coupling is vented and the plug is still secured in the sleeve.

Step 2: if the push button is pressed a second time, the plug is unlocked and can be removed safely.

Coupling

Thread	Dimensions (mm)			Order No.
W	L	i	SW (AF)	
Male thread				
G ¼	76	6	20	414.201
G ⅜	76	6.4	20	414.221
G ½	81	7.8	20	414.241
Female thread				
G ¼	75	11.8	20	414.202
G ⅜	77	12.6	20	414.222
G ½	79	14.2	20	414.242
Hose connection				
DN 6	88.5	25	21	414.223
DN 9	88.5	25	21	414.224
DN 13	88.5	25	21	414.225

Plug

Thread	Dimensions (mm)			Order No.
W	L	i	SW (AF)	
Male thread				
G ¼	38	8	17	312-053
G ⅜	38	9.1	19	312-054
G ½	40	10	24	312-057
Female thread				
G ¼	38	10.1	17	312-055
G ⅜	38	9.8	19	312-056
G ½	40	10.5	24	312-058
Hose connection				
DN 6	51	21	–	312-050
DN 8	51	21	–	312-075
DN 10	51	23	–	312-076
DN 13	51	27.8	–	312-052

Technical data

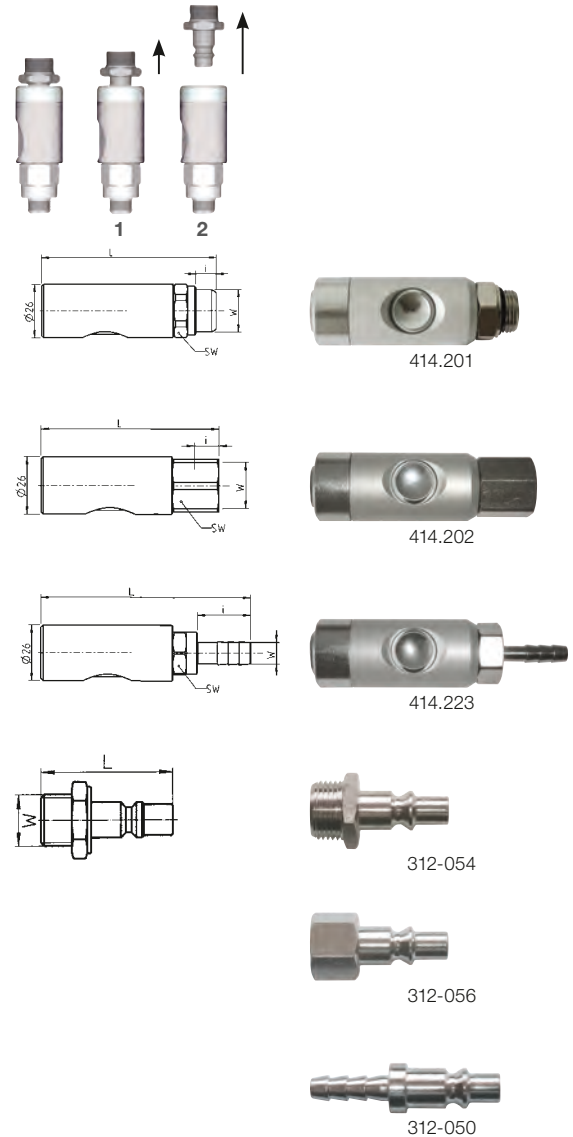
Nominal flow rate* acc. to ISO 6358	1,090 l/min
Max. operating pressure (p ₁)	10 bar / 145 psi
Operating temperature	-20 °C up to +150 °C
Mounting position/flow direction	preferably coupling before plug in flow direction/any
Material housing inlet	nickel-plated brass
Material housing middle part	anodised aluminium
Material housing outlet	zinc-plated steel
Material seals	NBR
Material spring	stainless steel 1.4310
Material balls	stainless steel 1.4034
Material plug	nickel-plated brass

* measured at 6 bar inlet pressure (p₁) and pressure drop Δp = 1 bar

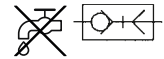
Notice



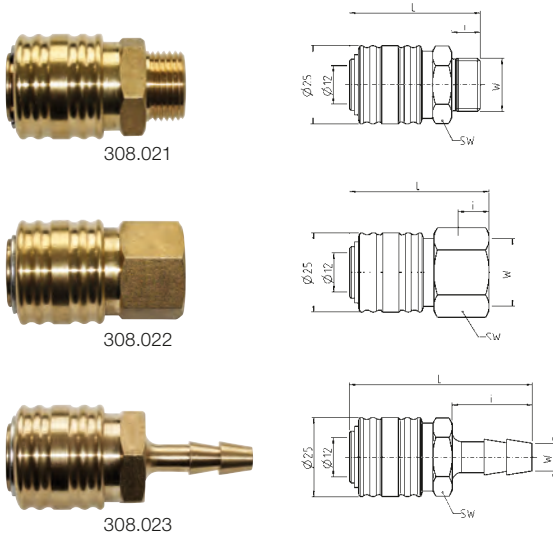
Series 312 plugs are compatible with all DN 5.5 couplings.



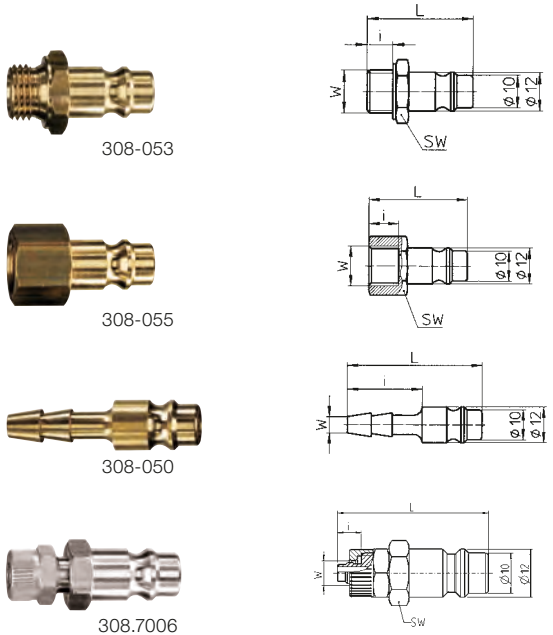
DN 7.2 Standard coupling and plug



Quick coupling with pin locking. Sliding sleeve up to 8 bar easy to use with one hand. Brass, optionally also available in nickel-plated brass.



PRIVATE LABEL
all 308 couplings can be customized with engraving



Coupling

Thread	Dimensions (mm)			Order No.
	W	L	i	
Male thread				
G 1/8	41	9	21	308.028*
G 1/4	41	9	21	308.001*
G 3/8	41	9	21	308.021*
G 1/2	42.5	10.5	21	308.041*
G 1/2	45	10.5	24	308.081*
M14 x 1.5	41	9	21	308.814
M16 x 1.5	41	9	21	308.816
M18 x 1.5	41	9	21	308.818
Female thread				
G 1/8	41	8	21	308.029
G 1/4	41	8	21	308.002
G 3/8	41	9	21	308.022
G 1/2	43	10	24	308.042
M14 x 1.5	43	9	21	308.824
M16 x 1.5	43	9	21	308.826
M18 x 1.5	43	9	21	308.828
Hose connection				
DN 6	57	25	21	308.023
DN 8	57	25	21	308.026
DN 9	57	25	21	308.024
DN 10	57	25	21	308.027
DN 13	57	25	21	308.025

Plug with Europrofile

Thread	Dimensions (mm)			Order No.
	W	L	i	
Male thread				
G 1/8	31	7	14	308-061*
G 1/4	33	9	17	308-053*
G 3/8	33	9	19	308-054*
G 1/2	35	10	24	308-057*
Female thread				
G 1/8	30	6	14	308-062
G 1/4	33	9	17	308-055
G 3/8	33	9	19	308-056
G 1/2	33	9	24	308-058
Hose connection				
DN 4	45	25	-	308-074
DN 6	45	25	-	308-050
DN 8	45	25	-	308-075
DN 9	45	25	-	308-051
DN 10	45	25	-	308-076
DN 13	45	25	-	308-052
Quick-action fitting (only available nickel-plated)				
6 x 4 mm	38	6	14	308.7006
8 x 6 mm	38	6	14	308.7206
10 x 8 mm	38	6	17	308.7406

* couplings and plugs are available with the additional option of a self-sealing mode (with sealing ring or coating). Order no. with additional D, e.g. 308.028D

Notice

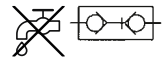
Series 308 plugs are compatible with all DN 7.2 and DN 7.8 couplings.

Technical data

Nominal flow rate** acc. to ISO 6358	1,631 l/min
Flow medium	compressed air, pre-filtered with 40 µm
Max. operating pressure (p ₁)	16 bar/232 psi
Operating temperature	-20 °C up to +100 °C
Mounting position/flow direction	preferably coupling before plug in flow direction/any
Material coupling/plug	brass
Material seals	NBR
Material spring	spring steel
Material pins	stainless steel

**measured at 6 bar inlet pressure (p₁) and pressure drop Δp = 1 bar

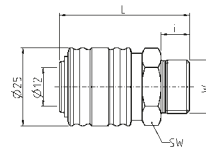
DN 7.2 Standard coupling and plug –with shut-off on both sides



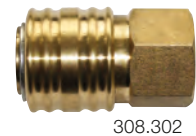
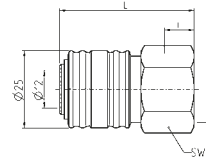
Double shut-off quick coupling made of brass with pin locking. The flow is stopped in the coupling and the plug after disconnecting. The medium remains within the system connection lines, the pressure is not reduced and remains constant. Sliding sleeve up to 8 bar easy to operate with one hand.

Coupling

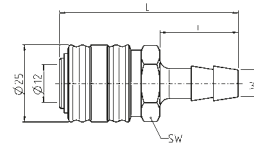
Thread	Dimensions (mm)			Order No.
	W	L	i	
Male thread				
G 1/8	41	9	21	308.211
G 1/4	41	9	21	308.212
G 3/8	41	9	21	308.213
G 1/2	42.5	10.5	21	308.214
M14 x 1.5	41	9	21	308.215
M16 x 1.5	41	9	21	308.216
M18 x 1.5	41	9	21	308.217
Female thread				
G 1/8	41	8	21	308.301
G 1/4	41	8	21	308.302
G 3/8	41	8	21	308.303
G 1/2	43	10	24	308.304
M14 x 1.5	43	9	21	308.305
M16 x 1.5	43	9	21	308.306
M18 x 1.5	43	9	21	308.307
Hose connection				
DN 6	57	25	21	308.401
DN 8	57	25	21	308.402
DN 9	57	25	21	308.403
DN 10	57	25	21	308.404
DN 13	57	25	21	308.405



308.212



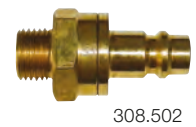
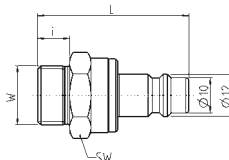
308.302



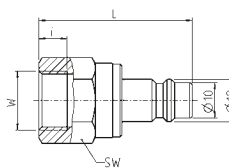
308.402

Plug with europrofile

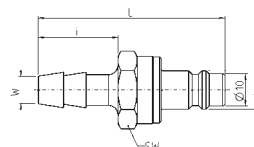
Thread	Dimensions (mm)			Order No.
	W	L	i	
Male thread				
G 1/8	43	9	21	308.501
G 1/4	43	9	21	308.502
G 3/8	43	9	21	308.503
G 1/2	44.5	10.5	21	308.504
M14 x 1.5	43	9	21	308.505
M16 x 1.5	43	9	21	308.506
M18 x 1.5	43	9	21	308.507
Female thread				
G 1/8	43	8	21	308.601
G 1/4	43	8	21	308.602
G 3/8	44	8	21	308.603
G 1/2	45	10	24	308.604
M14 x 1.5	45	9	21	308.605
M16 x 1.5	45	9	21	308.606
M18 x 1.5	45	9	21	308.607
Hose connection				
DN 6	59	25	21	308.701
DN 8	59	25	21	308.702
DN 9	59	25	21	308.703
DN 10	59	25	21	308.704
DN 13	59	25	21	308.705



308.502



308.602



308.701

Technical data

Nominal flow rate* acc. to ISO 6358	734 l/min
Flow medium	compressed air, pre-filtered with 40 µm
Max. operating pressure (p ₁)	16 bar
Operating temperature	-20 °C up to +100 °C
Mounting position/flow direction	preferably coupling before plug in flow direction/any
Material coupling/plug	brass
Material seals	NBR
Material spring	spring steel
Material pins	stainless steel

* measured at 6 bar inlet pressure (p₁) and pressure drop Δp = 1 bar

all couplings and plugs on this page are only delivered in packaging units (PU) of 5 pieces

Notice

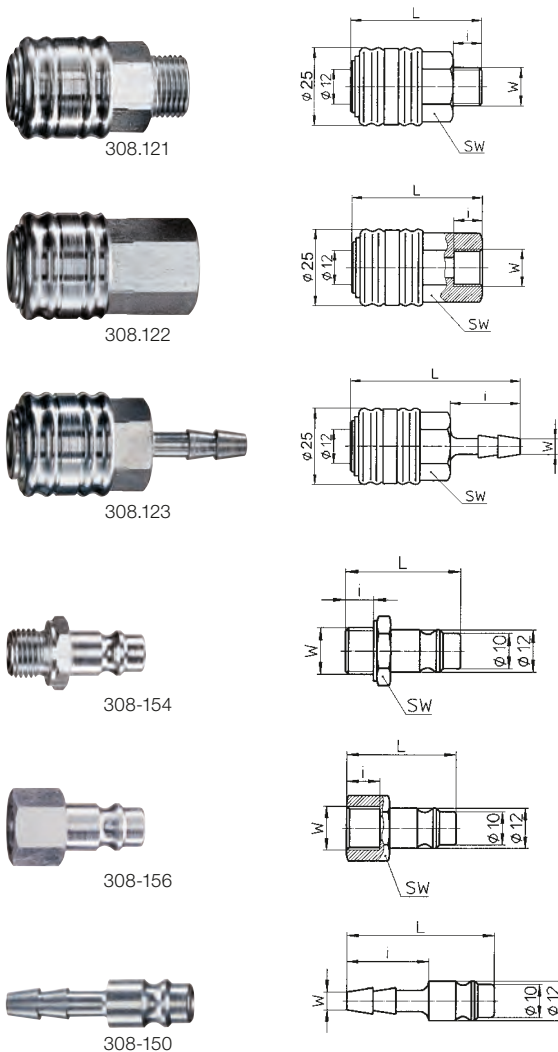


Plugs are compatible with all DN 7.2 and DN 7.8 couplings.

DN 7.2 Standard coupling and plug – steel



Quick-action coupling made of steel with pin locking for heavy-duty use. Sliding sleeve up to 8 bar easy to use with one hand. Steel plugs are characterised by a longer service life than brass plugs. Recommended for use with standard 308.XXX steel couplings, safety couplings and high flow couplings model 411/455/478 (see pages 110/111/112).



02 | Compressed air accessories

PRIVATE LABEL
all 308 couplings can be customized with engraving

Coupling

Thread	Dimensions (mm)			Order No.
	W	L	i	
Male thread				
G 1/8	41	9	21	308.128
G 1/4	41	9	21	308.101
G 3/8	41	9	21	308.121
G 1/2	41	10	21	308.141
Female thread				
G 1/8	41	8	21	308.129
G 1/4	41	8	21	308.102
G 3/8	41	8	21	308.122
G 1/2	43	10	24	308.142
Hose connection				
DN 6	57	25	21	308.123
DN 8	57	25	21	308.126
DN 9	57	25	21	308.124
DN 10	57	25	21	308.127
DN 13	57	25	21	308.125

Plug with europrofile

Thread	Dimensions (mm)			Order No.
	W	L	i	
Male thread				
G 1/4	33	9	17	308-153
G 3/8	33	9	19	308-154
G 1/2	35	10	24	308-157
Female thread				
G 1/4	33	9	17	308-155
G 3/8	33	9	19	308-156
G 1/2	33	9	24	308-158
Hose connection				
DN 4	45	25	–	308-174
DN 6	45	25	–	308-150
DN 8	45	25	–	308-175
DN 9	45	25	–	308-151
DN 10	45	25	–	308-176
DN 13	45	25	–	308-152

Technical data

Nominal flow rate* acc. to ISO 6358	1,631 l/min
Flow medium	compressed air, pre-filtered with 40 µm
Max. operating pressure (p ₁)	16 bar
Operating temperature	-10 °C up to +90 °C
Mounting position/flow direction	preferably coupling before plug in flow direction/any
Material coupling/plug	steel/zinc-plated steel
Material seals	NBR
Material spring	spring steel
Material pins	stainless steel

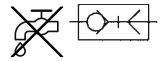
*measured at 6 bar inlet pressure (p₁) and pressure drop Δp = 1 bar

Notice



Plugs are compatible with all DN 7.2/DN 7.4 and DN 7.8 couplings.

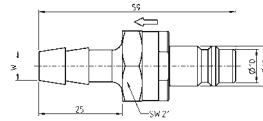
DN 7.2 Backflow damper



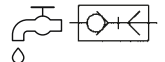
Backflow dampers prevent the so-called whiplash effect by gentle venting when decoupling. Made of brass. Easy to operate.

Thread	Order No.
W	
DN 6	308.810*
DN 8	308.820*
DN 9	308.830*
DN 10	308.840*
DN 13	308.850*

* delivery only in packaging unit (PU) of 5 pieces



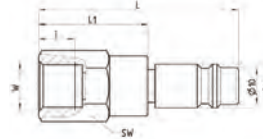
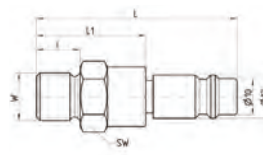
DN 7.2 Swivel joint connector



Reliably avoids kinking, crushing and rotating loads. The 360° rotation axis and the 30° swivel connection increase the efficiency and flexibility of an installation, especially of compressed air tools. These swivel connectors are also suitable for percussive tools such as pneumatic screwdrivers or pneumatic nailers.

Thread	Dimensions (mm)				Order No.
	W	L	L1	i	
Male thread					
G ¼	49.0	24.5	8	21	308-453*
G ⅜	50.0	24.5	8	21	308-454*
G ½	51.5	27	10	21	308-457*
Female thread					
G ¼	52.0	27	8	21	308-455*
G ⅜	52.0	27	8	21	308-456*
G ½	56.5	32	10	24	308-458*

* delivery only in packaging unit (PU) of 5 pieces



Technical data

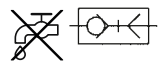
Nominal flow rate** acc. to ISO 6358	1,090 l/min
Max. operating pressure (p ₁)	25 bar
Recommended operating pressure	10 bar
Operating temperature	-20 °C up to +80 °C
Mounting position/flow direction	preferably coupling before plug in flow direction/any
Material	nickel-plated steel

** measured at 6 bar inlet pressure (p₁) and pressure drop Δp = 1 bar

Notice

Plugs are compatible with all DN 7.2 and DN 7.8 couplings.

X- and Y-Distributor with DN 7.2 quick-action coupling



Quick coupling with pin locking. Available in brass, or brass distributor with steel couplings for heavy-duty use.

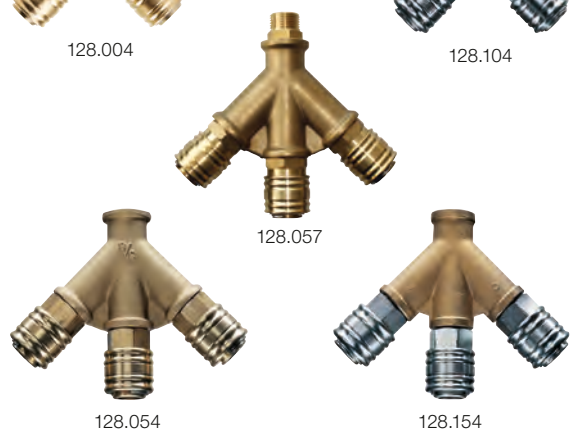
Y-distributor

Thread	Order No.	
	Brass coupling	Steel coupling
Male thread		
G ¼	128.006	–
G ⅜	128.007	–
G ½	128.008	–
Female thread		
G ¼	128.003	–
G ⅜	128.004	128.104
G ½	128.005	–

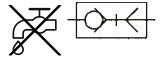


X-distributor

Thread	Order No.	
	Brass coupling	Steel coupling
Male thread		
G ¼	128.056	–
G ⅜	128.057	–
G ½	128.058	–
Female thread		
G ¼	128.053	–
G ⅜	128.054	128.154
G ½	128.055	128.155



DN 7.8 Safety coupling



Safety coupling according to ISO 4414, DIN EN 983 for compressed air with two-stage venting process. The first locking is released by slightly pushing back the sleeve. The coupling shuts off, simultaneously pushes the plug into the second position and the remaining pressure in the plug escapes. If the sleeve is pushed back further, the plug is released and can be safely uncoupled. Sliding sleeve easily operated with one hand up to 8 bar/116 psi. Nickel-plated brass. For safety and wear reasons, we recommend the use of steel plugs and not brass plugs.

Coupling

Thread	Dimensions (mm)			Order No.
	W	L	i	
Male thread				
G ¼	62	9	24	455.001
G ⅜	62	9	24	455.021
G ½	62	12	24	455.041
Female thread				
G ¼	58	9	24	455.002
G ⅜	58	9	24	455.022
G ½	58	12	24	455.042
Hose connection with rubber protection sleeve against damage				
DN 6	77	25	24	455.023
DN 8	77	25	24	455.026
DN 9	77	25	24	455.024
DN 10	77	25	24	455.027
DN 13	77	25	24	455.025

Plug

Suitable plugs see page 112 (308-XXX).

Technical data

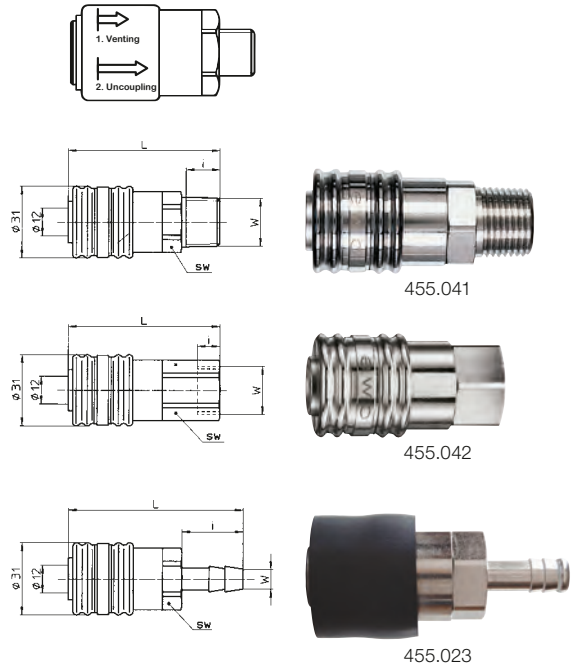
Nominal flow rate*	2,275 l/min
Max. operating pressure (p ₁)	8 bar/116 psi
Min. operating pressure (p ₁)	1 bar/14.5 psi
Operating temperature	-10 °C up to +90 °C
Mounting position/flow direction	preferably coupling before plug in flow direction/any
Material housing/cover	nickel-plated brass
Material seals	NBR
Material spring/balls and pins	stainless steel 1.4310/stainless steel 1.4034
Material plug	zinc-plated steel

* measured at 6 bar inlet pressure (p₁) and pressure drop Δp = 1 bar

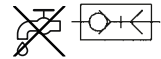
Notice



Not recommended for direct connection to percussive tools like impact wrenches. Connectors of series 308 are compatible with all DN 7.2/DN 7.4 and DN 7.8 couplings.

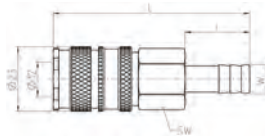
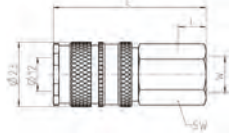
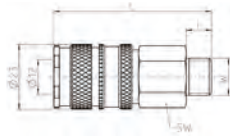


DN 7.8 High flow multi coupling



Robust coupling for industrial use and for use in workshop. High flow capacity provided by optimised high flow sealing cone. Sliding sleeve can be easily operated with one hand up to 8 bar / 116 psi. Coupling shut-off on one side. Nickel-plated brass.

Europrofile



ARO-Profile



Coupling

Thread	Dimensions (mm)			Order No.
	W	L	i	
Male thread				
G ¼	56	9	19	478.001
G ⅜	56	9	19	478.021
G ½	50	12	22	478.041
Female thread				
G ¼	54	10	19	478.002
G ⅜	54	10	19	478.022
G ½	56	13	24	478.042
Hose connection				
DN 6	70	23	19	478.023
DN 8	70	23	19	478.026
DN 9	70	23	19	478.024
DN 10	70	23	19	478.027
DN 13	70	23	19	478.025

Plug

Thread	Europrofile DN 7.2		ARO-Profile DN 5.5
	brass	steel	nickel-plated brass
Male thread			
G ¼	308-053	308-153	312-053
G ⅜	308-054	308-154	312-054
G ½	308-057	308-157	312-057
Female thread			
G ¼	308-055	308-155	312-055
G ⅜	308-056	308-156	312-056
G ½	308-058	308-158	312-058
Hose connection			
DN 6	308-050	308-150	312-050
DN 8	308-075	308-175	312-075
DN 9	308-051	308-151	-
DN 10	308-076	308-176	312-076
DN 13	308-052	308-152	312-052

see page 106 see page 108 see page 105

Technical data

Nominal flow rate acc. to ISO 6358*	with plug type 308: 2,540 l/min with plug type 312: 1,305 l/min
Max. operating pressure (p ₁)**	with plug type 308: 35 bar/508 psi with plug type 312: 16 bar/232 psi
Min. operating pressure (p ₁)	1 bar/14.5 psi
Operating temperature	-20 °C up to +100 °C
Mounting position/flow direction	preferably coupling before plug in flow direction/any
Material housing/thread	nickel-plated brass
Material sleeve	nickel-plated steel
Material sealing cone	brass
Material seals	NBR
Material spring/balls	stainless steel 1.4310/stainless steel 1.4034

*measured at 6 bar inlet pressure (p₁) and pressure drop Δp = 1 bar

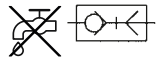
**at higher pressures (up to PN 35), coupling/uncoupling under pressure is no longer possible

Notice



Series 308 connectors are compatible with all DN 7.2/DN 7.4 and DN 7.8 couplings. Series 312 connectors are compatible with the ARO profile. (Compatible couplings: ARO 210, CEJN 300, ewo 308, JWL 522 and JWL 532, ORION 44510, PARKER 50, RECTUS 14, 22+26).

DN 10 Coupling and plug



Quick coupling made of brass with pin locking for higher flow rate. Sliding sleeve easy to operate one-handed up to 8 bar / 116 psi.

Coupling

Thread	Dimensions (mm)			Order No.
W	L	i	SW (AF)	
Male thread				
G 1/2	65	12	30	354.061
Female thread				
G 1/2	65	12	30	354.071

Hose connection

By assembling a coupling with female thread G 1/2 with a nozzle with male thread G 1/2.

Thread	Order No.
W	
DN 13	354.071 + 160-3
DN 16	354.071 + 160-3c
DN 19	354.071 + 160-3a

Plug

Thread	Dimensions (mm)			Order No.
W	L	i	SW (AF)	
Male thread				
G 1/2	42	12	27	354-059
Female thread				
G 1/2	42	12	27	354-060
Hose connection				
DN 13	55	33	–	354-053

Two-way distributor

Thread	Order No.
W	
G 1/2	128.04

Threaded nozzles with male thread G 1/2

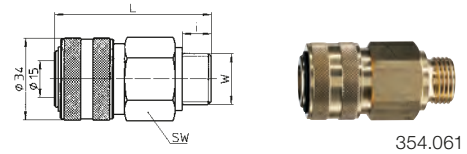
With this nozzle the coupling Order No. 354.071 can be converted to a coupling with hose connection (see above).

Thread	Dimensions (mm)				Order No.
W	L	i	D	SW (AF)	
DN 13 (1/2")	58	10	Ø 10	20	160-3
DN 16 (5/8")	58	10	Ø 11	20	160-3c
DN 19 (3/4")	58	10	Ø 12	20	160-3a

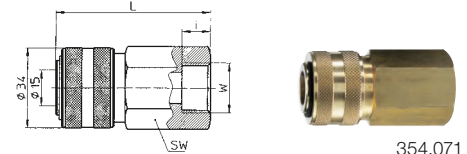
Technical data

Nominal flow rate* acc. to ISO 6358	3,480 l/min
Max. operating pressure (p ₁)	16 bar / 232 psi
Min. operating pressure (p ₁)	1 bar / 14.5 psi
Operating temperature	-10 °C up to +90 °C
Mounting position / flow direction	preferably coupling before plug in flow direction / any
Material housing / cover	nickel-plated brass
Material seals	NBR (optionally also available in FKM, please specify when ordering!)
Material spring	V2A

* measured at 6 bar inlet pressure (p₁) and pressure drop Δp = 1 bar



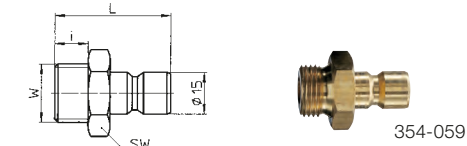
354.061



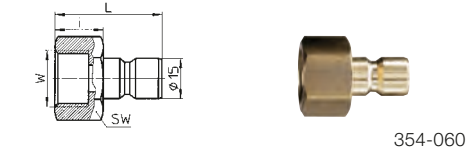
354.071



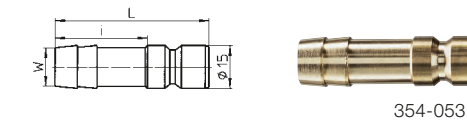
354.071 + 160-3



354-059



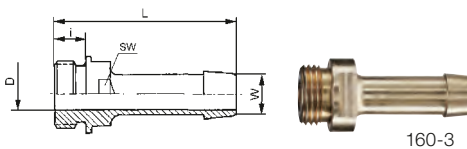
354-060



354-053



128.04

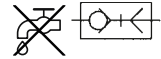


160-3

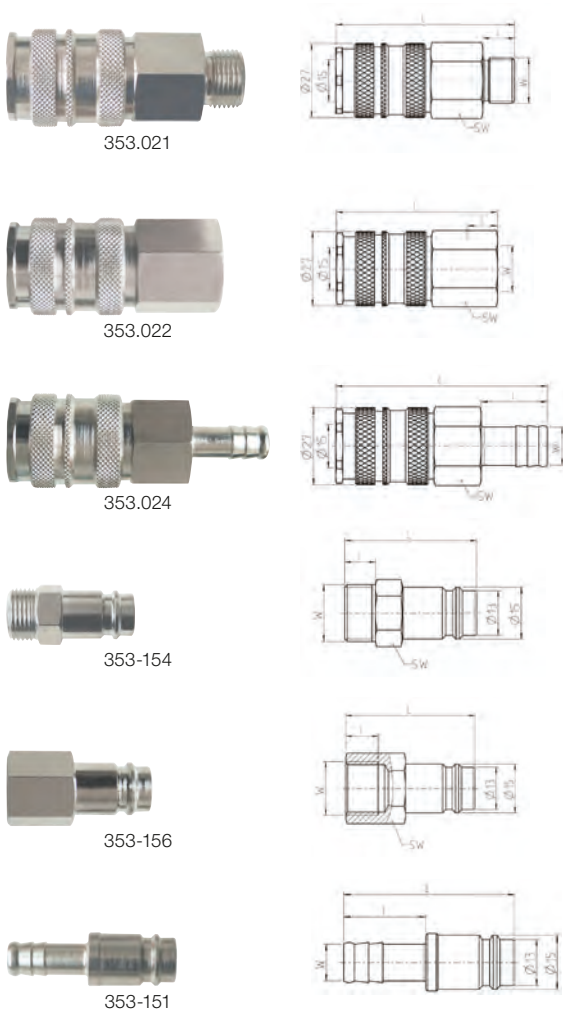
Notice

All DN 10 plugs are compatible with all DN 10 couplings.

DN 10 Super flow coupling and plug



Coupling with especially high flow rate. Sliding sleeve easy to operate one-handed up to 8 bar / 116 psi. Couplings made of nickel-plated brass, plug made of nickel-plated steel.



Coupling

Thread	Dimensions (mm)			Order No.
	W	L	i	
Male thread				
G ¼	65	11.5	24	353.001
G ⅜	65	11.5	24	353.021
G ½	66.5	15.5	24	353.041
G ¾	68.5	17.5	30	353.061
Female thread				
G ¼	58.5	10	24	353.002
G ⅜	58.5	10	24	353.022
G ½	61.5	13	24	353.042
Hose connection				
DN 6	74.5	23	24	353.023
DN 8	74.5	23	24	353.026
DN 9	74.5	23	24	353.024
DN 10	74.5	23	24	353.027
DN 13	74.5	23	24	353.025

Plug

Thread	Dimensions (mm)			Order No.
	W	L	i	
Male thread				
G ¼	38.5	9	17	353-153
G ⅜	38.5	9	17	353-154
G ½	43	12	22	353-157
Female thread				
G ¼	40	10	17	353-155
G ⅜	40	11	19	353-156
G ½	46	16	24	353-158
Hose connection				
DN 6	48	23	-	353-150
DN 8	48	23	-	353-175
DN 9	48	23	-	353-151
DN 10	48	23	-	353-176
DN 13	48	23	-	353-152

Technical data

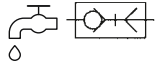
Nominal flow rate* according to ISO 6358	3,540 l/min
Max. operating pressure (p ₁)	35 bar/508 psi
Min. operating pressure (p ₁)	1 bar/14.5 psi
Operating temperature	-20 °C up to +100 °C
Mounting position/flow direction	preferably coupling before plug in flow direction/any
Material housing (coupling)	nickel-plated brass
Material sleeve (plug)	nickel-plated steel
Material seals	NBR, nitrile
Material spring/balls	stainless steel/stainless steel
Material plug	nickel-plated steel

*measured at 6 bar inlet pressure (p₁) and pressure drop Δp = 1 bar

Notice

Compatible with Rectus 27 and Cejn 410.

DN 12 Garage coupling and plug



Coupling made of brass with ball lock for high flow capacity. Suitable for water or neutral fluids due to the lip seal and non return valve. Rubber ring as wear protection. Sliding sleeve easy to operate one-handed up to 8 bar/ 116 psi.

Coupling

Thread W	Dimensions (mm)				Order No.
	L	i	D	SW (AF)	
Male thread					
G 1/2	82	12	–	30	254.01
G 3/4	82	12	–	30	254.03
Female thread					
G 1/2	82	12	–	30	254.11
G 3/4	82	12	–	30	254.13

Hose connection

By assembling a coupling with female thread G 1/2 with a nozzle with male thread G 1/2.

Thread W	Order No.
DN 13	254.11 + 160-3
DN 16	254.11 + 160-3c
DN 19	254.11 + 160-3a

Plug

Thread W	Dimensions (mm)				Order No.
	L	i	D	SW (AF)	
Male thread					
G 1/4	54	9	Ø6	17	254-27
G 1/2	63	10	Ø10	20	160-20
Hose connection					
DN 13	87	45	Ø10	–	254-30
DN 16	87	45	Ø12.5	–	254-31
DN 19	87	45	Ø12.5	–	254-32

Two-way distributor

Thread W	Order No.
G 1/2	128.03

Threaded nozzles with male thread G 1/2

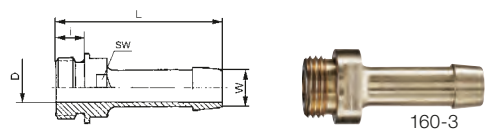
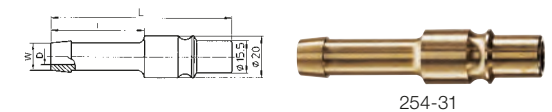
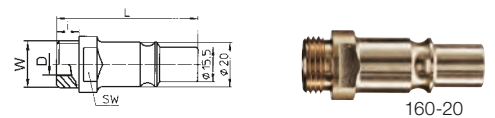
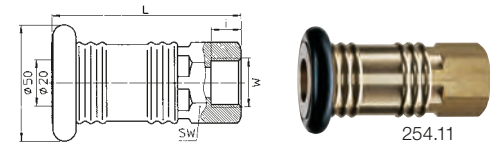
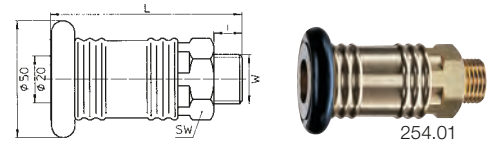
With this nozzle the coupling 254.11 can be converted to a coupling with hose connection (see above).

Thread W	Dimensions (mm)				Order No.
	L	i	D	SW (AF)	
DN 13 (1/2")	58	10	Ø10	20	160-3
DN 16 (5/8")	58	10	Ø11	20	160-3c
DN 19 (3/4")	58	10	Ø12	20	160-3a

Technical data

Nominal flow rate according to ISO 6358*	4,350 l/min
Max. operating pressure (p ₁)	16 bar/232 psi
Min. operating pressure (p ₁)	1 bar/14.5 psi
Operating temperature	-10 °C up to +50 °C (air) +5 °C up to +50 °C (water)
Mounting position/flow direction	preferably coupling before plug in flow direction/any
Material housing	brass
Material seals	NBR
Material spring	V2A

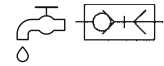
* measured at 6 bar inlet pressure (p₁) and pressure drop Δp = 1 bar



Notice

! All DN 12 plugs are compatible with all DN 12 couplings.

Claw couplings suitable for GEKA coupling system



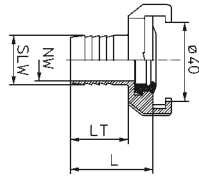
For safe, simple and quick coupling and uncoupling and for extending flexible hoses, hose systems and rigid pipelines or pipe systems. With moulded seal. Suitable for compressed air and water. The safety knobs guarantee the highest possible safety and prevent the coupling halves from loosening, even when the coupling is not pressurized. Claw spacing uniform 40 mm. Moulded sealing ring made of NBR. Material: brass CW617N (CuZn40Pb2) acc. to DIN 50930/6. Operating pressure 8 bar/116 psi (also available as 40 bar/580 psi variant—Order No. with additional P). Vacuum resistance (with moulded sealing ring) up to 10 m water column, WC (all specifications static guide values).

Hose piece

Nozzle with distinctive ribbed profile, which protects the hose from damage and guarantees tight hose fit. For clamp and ferrule integration.



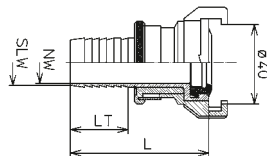
516.151



Thread	Dimensions (mm)			Order No.
SLW/G	DN	L	LT/T	
10 (3/8")	7.5	40	28	516.150
13 (1/2")	10	40	28	516.151
16 (5/8")	13.5	44	32	516.152
19 (3/4")	17	44	32	516.153
25 (1")	21.5	50	37	516.154
32 (1 1/4")	28	60	48	516.155
38 (1 1/2")	34	63	48	516.156



516.361



SH-Hose piece

For suction and high pressure. With screw ring (unscrew the screw ring, couple, tighten the screw ring). Incl. moulded sealing ring SH made of NBR.

13 (1/2")	10	67	31	516.361
19 (3/4")	15	71	35	516.362
25 (1")	20	76	42	516.363
32 (1 1/4")	28	82	46	516.364



516-9

Spare parts

Moulded sealing ring SH , material: NBR, black temperature range from -30 °C up to +100 °C	516-9
---	-------

Threaded part

Male thread

G 1/4	8	22	8	516.210
G 3/8	11.5	22	8	516.211
G 1/2	15	22	8	516.212
G 3/4	20	22	8	516.213
G 1	23	22	8	516.214
G 1 1/4	23	26	13	516.215
G 1 1/2	23	26	13	516.216

Female thread with flat sealing ring SBR (up to 100 °C) on the thread side

G 1/4	11	21	9.5	516.200
G 3/8	11	21	9.5	516.201
G 1/2	14	21	9.5	516.202
G 3/4	19	22	10.5	516.203
G 1	23	23	11	516.204
G 1 1/4	23	28	13.5	516.205
G 1 1/2	23	29	14	516.206

Blind coupling

-	-	27	15	516.174
---	---	----	----	---------

High-performance moulded sealing rings

High-performance moulded sealing ring (built-in) , material: NBR, black, temperature range from -30 °C up to +100 °C	516-6
High-performance moulded sealing ring , material: NBR—food-resistant, red, temp. range from -30 °C up to +100 °C (KTW approval)	516-7
High-performance moulded sealing ring , material: EPDM, black with yellow marking, temperature range from -50 °C up to +150 °C	516-8

Flat sealing rings SBR

For threaded pieces with internal thread. Temperature range up to approx. +100 °C.

Dimensions approx. 13 × 8 × 1.5 (G 1/4)	516-1
Dimensions approx. 17 × 11 × 1.5 (G 3/8)	516-2
Dimensions approx. 20.5 × 14 × 1.5 (G 1/2)	516-3
Dimensions approx. 26 × 18 × 2 (G 3/4)	516-4
Dimensions approx. 33 × 23 × 2 (G 1)	516-5

all **sealing rings** on this page are only delivered in packaging units (PU) of 10 pieces